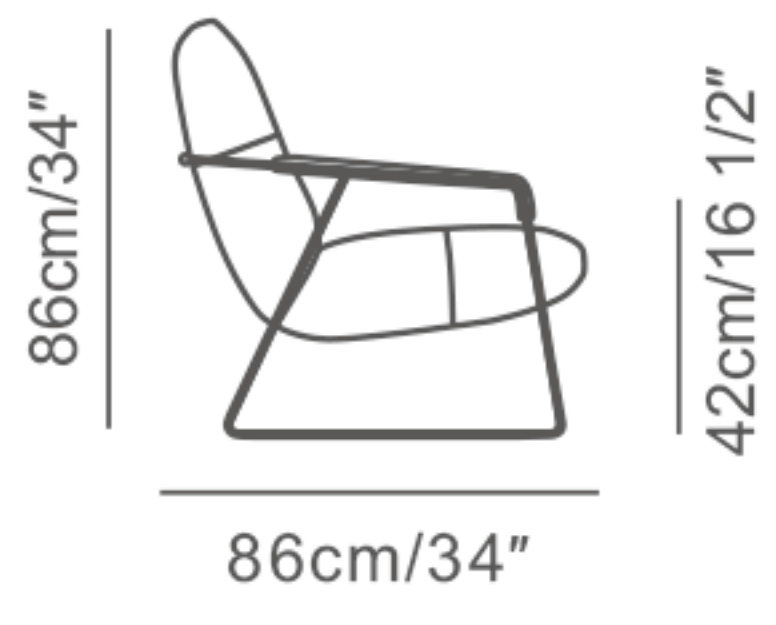


## Schematics

---



CH  
100

## Composition Examples

---